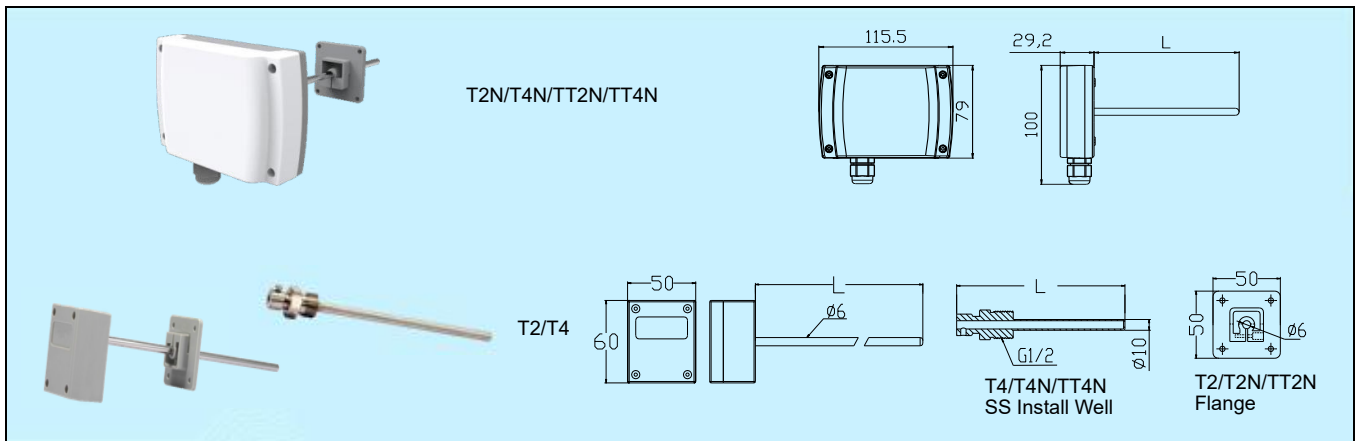


T2/TT2, T4/TT4, Series Temperature Sensor/Transmitter



Applications & Features

- These sensors/transmitters can be used for temperature measurement in duct air, water and steam pipe
- High performance thermistor & RTD, ensure accurate temperature measurement
- Multiple output optional, Light, and state of art housing, easy installation
- Over voltage and reverse polarity protection, high reliability, and anti-interference capability
- Wide temperature range and fast response
- High protection rate up to IP65

Specifications

T2/T4, T2/4N series temperature sensor

Sensor: High accuracy thermistor or RTD, see models

Output: Thermistor or RTD, see models and resistance table

Accuracy: Typical $\pm 0.2 \sim 0.4^\circ\text{C}$ @25°C, see models

Wiring: 2 wires or 3 wires (RTD)

(3 wires connection could obtain better accuracy)

Work Temp. (Whole product): -40~70°C, 0~95%RH (Non cond.)

Medium Temperature (Probe): -40~100°C

TT2/4N series temperature transmitter

Sensor: PT1000, class A

Range: see models

Output: 4~20mA (2 wires) or 0-10VDC, 0-5VDC

Output Load: $\leq 500\Omega$ (current), $\geq 3k\Omega$ (0-10VDC), $\geq 2k\Omega$ (0-5VDC)

Total accuracy: $\leq \pm 0.5^\circ\text{C}$ @0~50°C, see accuracy curve

Power: Current 18.5~35VDC ($R_L=500\Omega$) 8.5~35VDC ($R_L=0\Omega$)

Voltage: 16~35VDC, 16~28VAC

Work Temp. (Whole product): -30~70°C, 0~95%RH (Non cond.)

Medium Temperature (Probe): -40~100°C

Storage Temperature: -30~70°C

Housing: Fireproof ABS, SS probe($\phi 6\text{mm}$), SS Well

Protection: IP65

Weight: T2:160g; T4:340g; T2N:270g; T4N:480g;

TT2N:280g; TT4N:465g;

Approval: CE

Models

T2,4 /T2,4N temperature sensors

Model	T2/T2N			Duct mount temperature sensor
	T4/T4N			Immersion temperature sensor
Thermistor or RTD*		3		PT1000, $\pm 0.2^\circ\text{C}@25^\circ\text{C}$
		4		PT100, $\pm 0.2^\circ\text{C}@25^\circ\text{C}$
		5		NTC20K, $\pm 0.4^\circ\text{C}@25^\circ\text{C}$
		6		Ni 1000, $\pm 0.4^\circ\text{C}@25^\circ\text{C}$
		7		NTC10K-II, $\pm 0.4^\circ\text{C}@25^\circ\text{C}$
		9		NTC10K-III, $\pm 0.4^\circ\text{C}@25^\circ\text{C}$
		A		NTC10K-A, $\pm 0.4^\circ\text{C}@25^\circ\text{C}$
Probe Length		0		75mm
		1		125mm
		2		200mm
		7		Others

TT2/4N series temperature transmitter

Model	TT2N			Duct mount temperature transmitter
	TT4N			Immersion temperature transmitter
Output		1		0~10V
		2		4-20mA (2 wires)
		E		0~5V
Range		1		0-50°C
		2		0-100°C
		3		-40-60°C
		7		others
Probe Length		0		75mm
		1		125mm
		2		200mm
		7		Others

T4/T4N/TT4N Well

Model	A-T		Stainless Steel Well
Probe Length		0	75mm
		1	125mm
		2	200mm