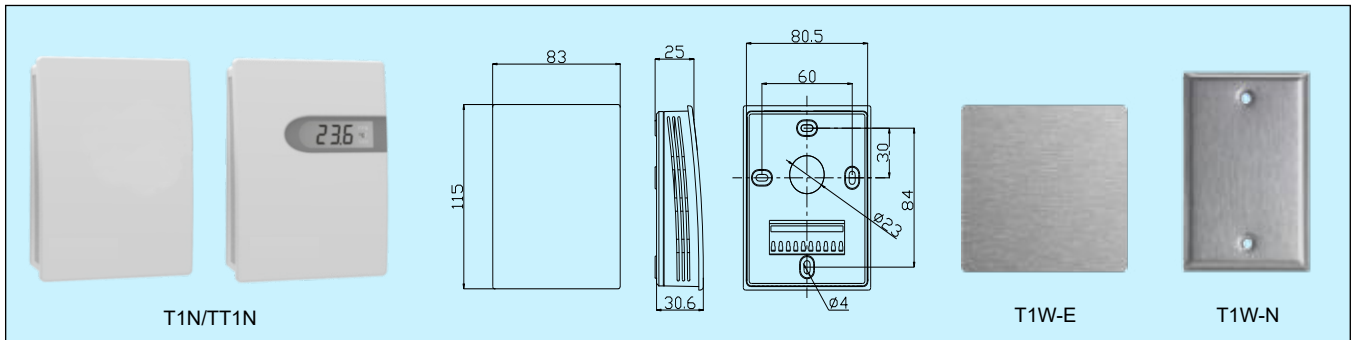


T1N/T1W/TT1N Room/Wall Mount Temperature Sensor/Transmitter



Applications & Features

- Apply for indoor environment temperature measurement. T1N and TT1N are room environment. T1W is flush mount and measures room temperature via the stainless-steel plate for wash down or polluted environments. T1N and T1W are sensors only, while the TT1N is transmitter
- High performance thermistor & RTD, ensure accurate temperature measurement
- Multiple output optional, light and state of art housing, easy installation
- Over voltage and reverse polarity protection, high reliability and anti-interference capability
- Wide temperature range and fast response
- All electrical terminals are on the inside bottom, avoid any possible damage to PCB when wiring

Protection: IP30

Weight: T1N: 95g; T1W-E: 95g; T1W-N: 80g; TT1N: 145g

Approval: CE

Models

TT1N series room temp. transmitter

Model	TT1N	Room Temp. transmitter
Output	1	0~10VDC
	2	4~20mA (2 wires)
	8	RS~485/Modbus
	E	0~5VDC
Range	1	0~50°C
	2	0~100°C
Display	0	N/A
	1	LCD

Specifications

T1N/T1W series temperature sensor

Sensor: High accuracy thermistor or RTD, see models

Output: Thermistor or RTD, see models and resistance table

Accuracy: Typical 0.2~0.5°C @ 25°C, see models

Wiring: 2 wires or 3 wires (RTD)

(3 wires connection could obtain better accuracy)

Work Temp.: -30~70°C, 0~95%RH (Non condensing)

Models

T1N room temp. sensor/T1W wall mount temp. sensor

Model	T1N	T1W-E	T1W-N	Room Temp. sensor
				Wall mount Temp. sensor, China/EU style
				Wall mount Temp. sensor, North America style
Thermistor or RTD*	3			PT1000, ±0.2°C @25°C
	4			PT100, ±0.2°C @25°C
	5			NTC20K, ±0.2°C @25°C
	6			Ni 1000, ±0.5°C @25°C
	7			NTC10K-II, ±0.2°C @25°C
	9			NTC10K-III, ±0.3°C @25°C
	A			NTC10K-A, ±0.3°C @25°C

*See resistance table.

TT1N series temperature transmitter

Sensor: Digital temperature sensor

Range: see models

Output: 4~20mA (2 wires), 0~10VDC, 0~5V, RS-485/Modbus

Output Load: ≤500Ω (current), ≥3KΩ (voltage)

Accuracy: ≤±0.3°C @0~100°C

Power: 0~10V:24VDC/24VAC±20%; 4~20mA:24VDC±20%

Display: Optional LCD, resolution 0.1 °C, with unit

Work Temp.: -20~70°C (LCD: 0~70°C), 0~95%RH (Non cond.)

Storage Temperature: -30~70°C

Housing: T1N/TT1N: fire retardant PC(UL94V-0)

T1W: Stainless steel

Resistance table:

T (°C)	3	4	5	6	7	9	A
	PT1000	PT100	NTC20K	Ni1000	NTC10K-II	NTC10K-III	NTC10K-A
-40	842.71	84.27	806,400	830.84	325,931	209,800	206,100
-35	862.46	86.25	572,550	851.15	236,365	161,200	155,500
-30	882.22	88.22	411,110	871.69	173,161	123,900	118,400
-25	901.91	90.19	298,440	892.47	128,108	95,590	91,000
-20	921.6	92.16	218,900	913.48	95,674	74,340	70,580
-15	941.23	94.12	162,110	934.74	72,102	58,460	55,240
-10	960.86	96.09	121,200	956.24	54,814	46,120	43,560
-5	980.43	98.04	91,450	977.99	42,022	36,450	34,580
0	1,000.00	100.00	69,600	1,000.00	32,477	28,870	27,630
5	1,019.51	101.95	53,410	1,022.26	25,295	23,130	22,170
10	1,039.03	103.90	41,320	1,044.79	19,848	18,620	17,970
15	1,058.48	105.85	32,210	1,067.59	15,687	15,060	14,690
20	1,077.94	107.79	25,290	1,090.65	12,483	12,240	12,080
25	1,097.33	109.73	20,000	1,113.99	10,000	10,000	10,000
30	1,116.73	111.67	15,920	1,137.62	8,062	8,214	8,319.00
35	1,136.07	113.61	12,760	1,161.52	6,539	6,781	6,952.00
40	1,155.41	115.54	10,290	1,185.71	5,335	5,626	5,834.00
45	1,174.69	117.47	8,346	1,210.20	4,378	4,691	4,917.00
50	1,193.97	119.40	6,808	1,234.98	3,611	3,929	4,160.00
55	1,213.20	121.32	5,584	1,260.06	2,995	3,323	3,533.00
60	1,232.42	123.24	4,605	1,285.44	2,496	2,816	3,013.00
65	1,251.59	125.16	3,817	1,311.14	2,090	2,390	2,579.00
70	1,270.75	127.08	3,179	1,337.14	1,758	2,033	2,217.00
75	1,289.86	128.99	2,661	1,363.47	1,486	1,733	1,914.00
80	1,308.97	130.90	2,237	1,390.12	1,261	1,482	1,659.00
85	1,328.02	132.80	1,889	1,417.09	1,075	1,272	1,451.00
90	1,347.07	134.71	1,602	1,444.39	920	1,098	1,265.00
95	1,366.06	136.61	1,363	1,472.03	790	950.20	1,111.00
100	1,385.06	138.51	1,165	1,500.00	681	824.60	978.80